

YALÇIN GOLD BATTERY

GDC06230.0 (6V230AH)

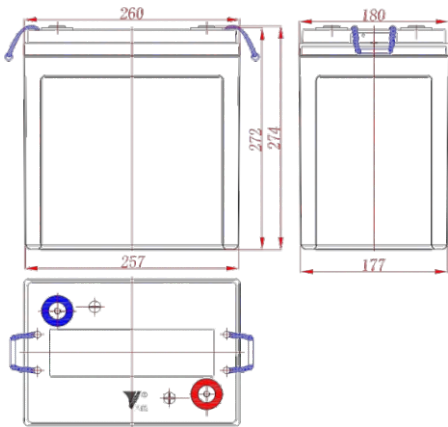
GENERAL FEATURES

- ◆ Oxygen recombination technology: Maintenance Free VRLA Battery, no need to add water or acid
- ◆ The patent grid alloy: less gassing, low self-discharge, excellent corrosion resistance performance
- ◆ Special paste formula: additives are added to improve deep discharge, long cycle life
- ◆ High quality AGM separator: extend cycle life and prevent micro short circuit
- ◆ The patent Nano silica gel electrolytes, extend cycle life and improve the deep discharge performance
- ◆ ABS container: increase the strength of battery (Flame-retardant ABSUL94-V0 is optional)

Dimension

Unit:mm

| | |
|------------------|---------------------|
| Length | 260±2mm / 10.24inch |
| Width | 180±2mm / 7.09inch |
| Container Height | 272±2mm / 10.71inch |
| Total Height | 274±2mm / 10.79inch |



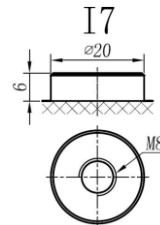
Application

- ◆ Electric tools or toys
- ◆ Electric Bicycle/Tricycle
- ◆ Golf trolleys and golf cart
- ◆ Patrol car
- ◆ Electric Sight-seeing Tour Bus
- ◆ Sweeper
- ◆ Wheelchairs
- ◆ Lawn mowers
- ◆ Illumination light

Terminal

Unit:mm

Terminal Type: I7



Weight

34kg 74.96lbs

 Merkez

100. Yıl Bulvarı 1232. Sokak
(Eski 40. Sokak) No: 65
Ostim / ANKARA

 Tel&Fax

T. (0.312) 354 16 45
(0.312) 385 55 60
F. (0.312) 354 07 97

 Servis

100. Yıl Bulvarı 1234. Sokak
(Eski 57. Sokak) No: 91
Ostim / ANKARA

 Fabrika

Kırıkkale OSB Kızılırmak Caddesi
4. Sokak No: 6
Yahşihan / KIRIKKALE

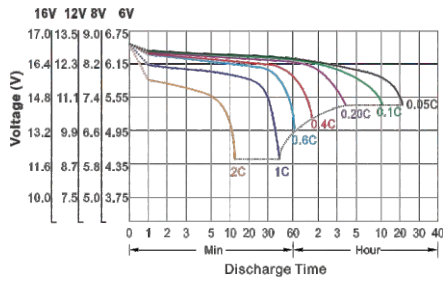
YALÇIN GOLD BATTERY

Specifaion

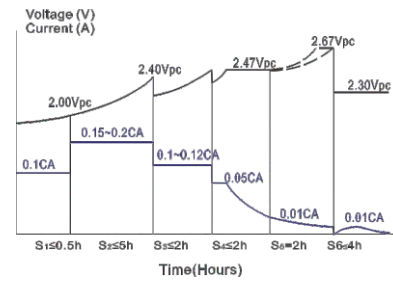
| | |
|---|---|
| Nominal Voltage | 6V |
| Nominal Capacity | 245Ah |
| Rated Capacity (25°C) | C20(1.80V/cell) 245Ah |
| | C10(1.80V/cell) 230Ah |
| | C5(1.75V/cell) 220Ah |
| Container Material | ABS (Flame-retardant ABSUL94-V0 is optional) |
| Operating Temperature Range | Discharge -20 ~ +50°C |
| | Charge 0 ~ +40°C |
| | Storage -15 ~ +40°C |
| Capacity Effected by Temperature | 40°C / 104°F 106% |
| | 25°C / 77°F 100% |
| | 0°C / 32°F 86% |
| | -10°C / 14°F 65% |
| Charge Method | Please refer to the "Charge Characteristics (25°C)" below |
| Monthly Self Discharge | <3%, GDC series stored at 25°C require a supplementary charge every six months, the charging interval would shrink when the ambient temperature went higher |

Performance Curve

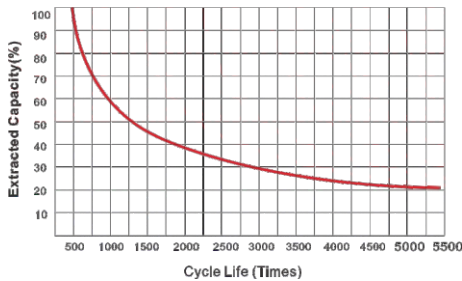
Discharge Characteristics (25°C)



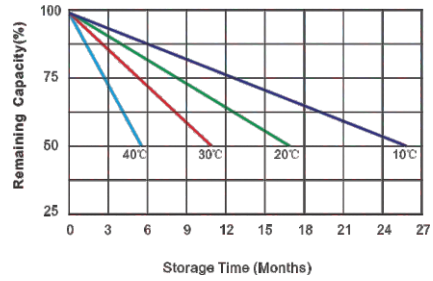
Charge Characteristics (25°C)



Cycle Lives With Depth Of Discharge



Self-Discharge Characteristics



Merkez

100. Yıl Bulvarı 1232. Sokak
(Eski 40. Sokak) No: 65
Ostim / ANKARA

Tel&Fax

T. (0.312) 354 16 45
(0.312) 385 55 60
F. (0.312) 354 07 97

Servis

100. Yıl Bulvarı 1234. Sokak
(Eski 57. Sokak) No: 91
Ostim / ANKARA

Fabrika

Kırıkkale OSB Kızılırmak Caddesi
4. Sokak No: 6
Yahşihan / KIRIKKALE